



myPRO^{XL} Smart Professional Dryer

Especially designed for small businesses.

The machine with a Professional heart and a Green soul on a sensible budget boasting benefits from the professional design

Benefits and features

- ▶ **Top durability with 15.000+ cycle lifetime**
 - Built with commercial components and last nearly six times* longer than domestic washers
 - Drum supported by five roller bearings for long life
 - Easy to clean, heavy duty lint screen
- ▶ **Faster and more efficient drying process**
 - Larger drying load capacity: 12 kg
 - Large capacity can handle oversized loads with ease
 - Axial airflow ensures the shortest drying time and extremely low energy usage
- ▶ **Increased flexibility and serviceability**
 - OPL as default, Coin is an optional accessory
 - Optional retrofitable stacking kits for dryer+dryer
 - Extra large door opening for easy loading and unloading
 - Real-time clock for happy hour, promotional pricing
 - Roller supported tumbler with less vibration and noise
 - Front access for easy serviceability

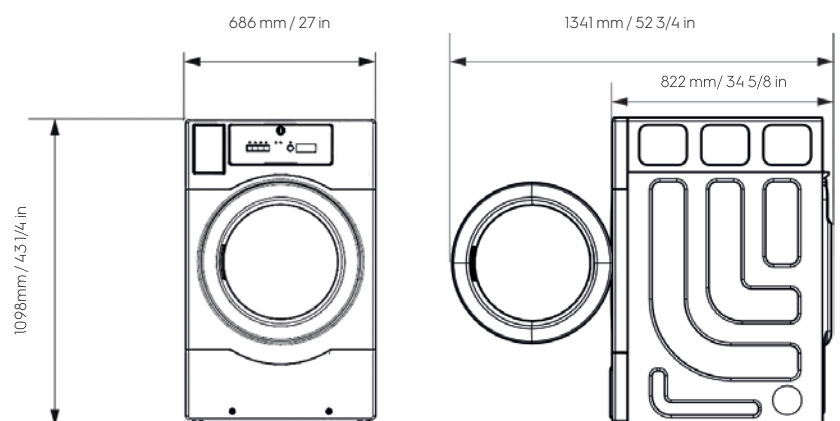
Accessories

- ▶ **Electronic coinmeter for standard alone coin installation**
- ▶ **Mechanical coinmeter for stacked coin installation**
- ▶ **Retrofitable kits for stacked installation both OPL and coin installation**

Main specifications at a glance

Drying capacity, kg	12
Drum volume, l	218

Dimensions

TE1220E


myPRO^{XL} Smart Professional Dryer

Specifications TE1220

Heating type	Electric, 4.83 kW
Electrical connection, V/Hz/W	220-240/50Hz/1phase
Recommended fuse, amps	15
Type of drying	Vented
Air flow (CFM)	151
Motor (HP)	1/4
Declared drying noise, dB(A)	68
Display	LED
Filter	Filter with handle for easier removal
Levelling feet	4 adjustable feet

Connections

Air outlet diameter (mm/in)	99.8/ 3 7/8
Exhaust outlet diameter (mm/in)	102/4

Programs

Number of programs	4
High / Medium / Low / No heat	

Dimensions

Product - WxHxD (mm/in)	686x1098x822 27x43 1/4 x 32 3/8
Width Door Opening (mm/in)	1341/52 3/4
Carton - WxHxD (mm/in)	770 x 1290 x 880 30 3/8 x 50 3/4 x 34 5/8
Weight - product/carton (kg/lb)	154/190 70/86

